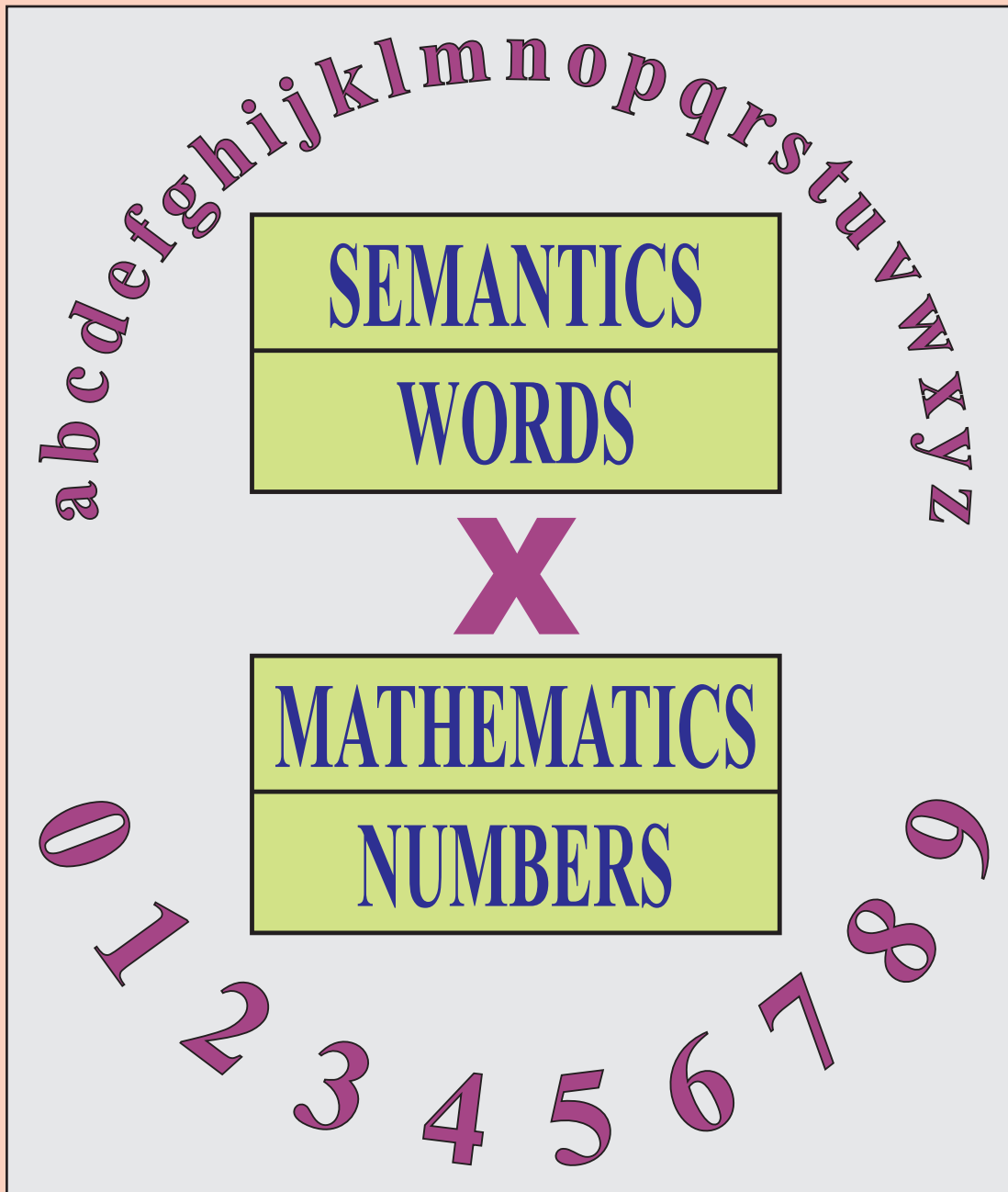




# MODELO CRIPITA

## Criptoanálise Alfabética



# Pedra Brásílica

Prof. Aguinaldo Prandini Ricieri



# 1.1 Big Data Criptografado de Rótulo L1

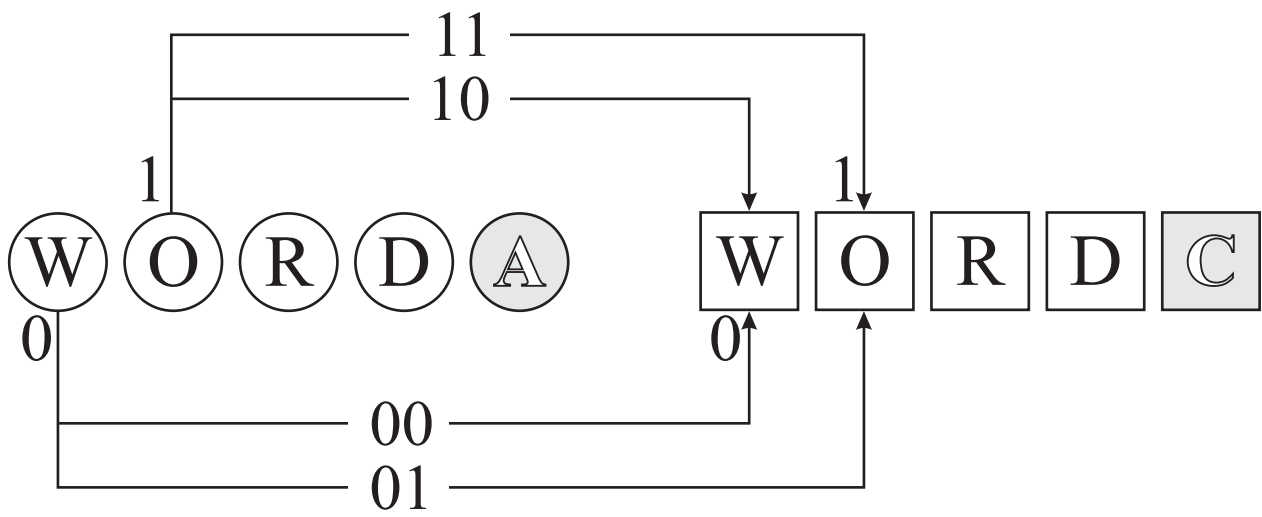
**GCPQUMQP VXSIU: OARRSNDT'V UTQNDRV (UMD HDVU UDJU)**

YW IQUMDT MQK Q VYQRR IQTY SP PCUUSPOMQYVMSTD: S XQV UMD UMSTK  
 CI ISND VCPV. MD VDPV YD UC DYQPADR LCRRDOD SP LQYHTSKOD QU  
 ICATUDDP WDQTV CRK, XMDTD S TDVSKDK UMTDD WDQTV, QPK QEERSDK  
 YWVDRI LRCVD UC YW VUAKSDV; S XQV QP QEETDPUSLD CI YT. GQYDV, QP  
 DYSPDPU VATODCP SP RCPKCP, XSUM XMCY S LCPUSPADK ICAT WDQTV. YW  
 IQUMDT PCX QPK UMDP VDPKSPO YD VYQRR VAYV CI YCPDW, S VUAKSDK  
 PQNSOQUSCP, QPK CUMDT EQTUV CI UMD YQUMDYQUSLV, AVDIAR UC  
 UMCVD XMC SPUDPK UC UTQNDR HW VMSE, QV S QRXQWV HDRSDNDK SU  
 XCARK HD. XMDP S RDIU YT. GQYDV, S XDPU HQLF UC YW IQUMDT: XMDTD,  
 HW UMD QVSVUQPLD CI MSY QPK YW APLRD GCMP, QPK VCYD CUMDT  
 TDRQUSCPV, S OCU ICTUW ECAPKV, QPK Q ETCYSVD CI UMSTUW ECAPKV Q  
 WDQT UC YQSPUQSP YD QU RDWKDP, UMQU XQV UMD UTDQUW: UMDTD S  
 VUAKSDK EMWVSL UXC WDQTV QPK DSOMU YCPUMV, FPCXSP SU XCARK  
 HD AVDIAR SP RCPO UTSEV, S VUAKSDK QUUDPUSND UMDVD RDLUATDV.  
 QIUUDT YW TDUATP ITCY RDWKDP, S XQV TDLCYYDPKDK HW YW OCCK  
 YQVUDT, YT. GQYDV, UC HD VATODCP UC UMD VXQRRCX VMSE, XMSLM XQV  
 CPD CI UMD HDVU UTQPVECTUSCP QU UMD USYD, LQEUQSP QHTQMZY  
 EQPPDR, LCYYQPKDT; XSUM XMCY S LCPUSPADK UMTDD WDQTV QPK Q  
 MQRI, YQFSPO Q UTSE CT UXC. XMDP S LQYD HQLF S TDVCRNDK UC VDUURD  
 SP RCPKCP; UC XMSLM YT. GQYDV, YW YQVUDT, DPLCATQODK YD, QPK HW  
 MSY S XQV TDLCYYDPKDK UC VDNDTQR EQUUSDPUV UC UTDQU UMDY. S  
 UCCF EQU CI Q VYQRR MCAVD SP UMD CRK GDXTW; QPK HDSPO QKNSVDK  
 UC QRUDT YW LCPKSUSCP, S YQTTSDK YTV. HATUCP, VDLCPK KQAOMUDT  
 UC YT. DKYAPK HATUCP. HAU YW YQVUDT GQYDV KWSPO SP UXC WDQTV  
 QIUUDT, QPK S MQNSPO IDX ITSDPKV, YW HAVSPDVV HDOQP UC IQSR; ICT YW  
 LCPVLSPLD XCARK PCU VAIIDT YD UC SYSUQUUD UMD HQK ETQLUSLD CI  
 UCC YQPW QYCPO YW HTDUMTDP. MQNSPO UMDTDICTD LCPVARUDK XSUM  
 YW XSID QPK YW BCKSQL, S KDUUDTYSYD UC OC QOQSP UC UMD VQD. S  
 XQV VATODCP VALLDVVSNDRW SP UXC VMSEV, QPK YQKD VDNDTQR UTSEV,  
 ICT VSJ WDQTV, UC UMD DQVU QPK XDVU SPKSDV, HW XMSLM S OCU VCYD  
 QKKSUSCP UC YW ICTUAPD. YW MCATV CI RDSVATD S VEDPU SP TDQKSP  
 UMD HDVU QAUMCTV, QPLSDPU QPK YCKDTP, HDSPO QRXQWV ETCNSKDK  
 XSUM Q OTDQU PAYHDT CI ZAQRSUW HCCFV; QPK XMDP S XQV QVMCTD, SP  
 CHVDTNSPO UMD YQPPDTV QPK KSVECVSUSCPV CI UMD EDCERD, QV XDRR  
 QV RDQTPSPO UMDST RQPOAQOD; XMDTDSP S MQK Q OTDQU IQLSRSUW,  
 HW UMD VUTDPOUM CI YW YDYCTW.



# 3.0 Matriz Comparativa it\_set Words

Com os próximos esquemas lógicos pode-se comparar as duas primeiras letras das words A e C (words formadas por duas ou mais letras) e descobrir os índices de concordância e discordância das 26 letras possíveis de formá-las:



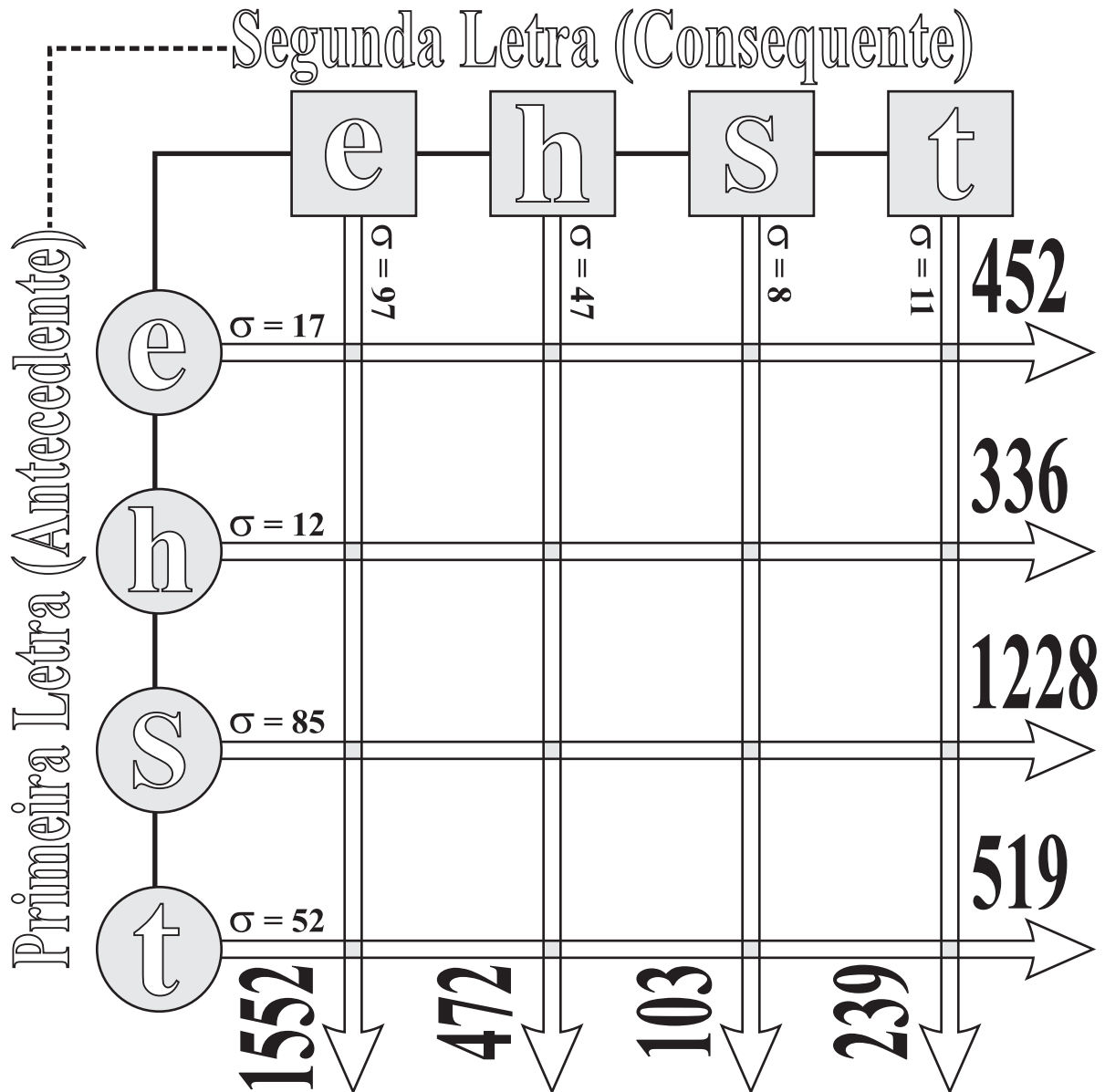
Antecedente	A \ C	□	□	RDC	Consequente
	○	00	01	Prune	
	○	10	11		
	RDA	Step			

- 00 : letra<sub>0</sub>word<sub>A</sub> = letra<sub>0</sub>word<sub>C</sub>
- 01 : letra<sub>0</sub>word<sub>A</sub> ≠ letra<sub>1</sub>word<sub>C</sub>
- 10 : letra<sub>1</sub>word<sub>A</sub> ≠ letra<sub>0</sub>word<sub>C</sub>
- 11 : letra<sub>1</sub>word<sub>A</sub> = letra<sub>1</sub>word<sub>C</sub>

Rótulos da Matriz Cofenética



### 3.3 Quantificação das Regras Garimpadas/Abduzidas



Exemplo: Para a Regra Prima observe seus quatro índices avaliados:

$$\text{Sup} [i^2t(\text{t} \text{ } \text{ } ) \xrightarrow{i} i^2t(\text{ } \text{h} )] = \frac{398}{10000} = 0,0398$$

$$\text{Con} [i^2t(\text{t} \text{ } \text{ } ) \xrightarrow{i} i^2t(\text{ } \text{h} )] = \frac{398}{519} = 0,7666$$

$$\text{Imp} [i^2t(\text{t} \text{ } \text{ } ) \xrightarrow{i} i^2t(\text{ } \text{h} )] = \frac{398}{519 \times 472} = 0,0016$$

$$\text{Ino} [i^2t(\text{t} \text{ } \text{ } ) \xrightarrow{i} i^2t(\text{ } \text{h} )] = \text{-----} = 0,0373$$



# Big Data Decrypt Text (Tradução)

## Jonathan Swift: Gulliver's Travels (The best text)

My father had a small farm in Nottinghamshire: I was the third of five sons. He sent me to Emanuel College in Cambridge at fourteen years old, where I resided three years, and applied my self close to my studies; I was an apprentice of Mr. James, an eminent surgeon in London, with whom I continued four years. My father now and then sending me small sums of money, I studied navigation, and other parts of the mathematics, useful to those who intend to travel by ship, as I always believed it would be. When I left Mr. James, I went back to my father: where, by the assistance of him and my uncle John, and some other relations, I got forty pounds, and a promise of thirty pounds a year to maintain me at Leyden, that was the treaty: there I studied physic two years and eight months, knowing it would be useful in long trips, I studied attentive these lectures. After my return from Leyden, I was recommended by my good master, Mr. James, to be surgeon to the Swallow ship, which was one of the best transportation at the time, Captain Abraham Pannel, commander; with whom I continued three years and a half, making a trip or two. When I came back I resolved to settle in London; to which Mr. James, my master, encouraged me, and by him I was recommended to several patients to treat them. I took part of a small house in the Old Jewry; and being advised to alter my condition, I married Mrs. Burton, second daughter to Mr. Edmund Burton. But my master James dying in two years after, and I having few friends, my business began to fail; for my conscience would not suffer me to imitate the bad practice of too many among my brethren. Having therefore consulted with my wife and my zodiac, I determined to go again to the sea. I was surgeon successively in two ships, and made several trips, for six years, to the East and West Indies, by which I got some addition to my fortune. My hours of leisure I spent in reading the best authors, ancient and modern, being always provided with a great number of quality books; and when I was ashore, in observing the manners and dispositions of the people, as well as learning their language; wherein I had a great facility, by the strength of my memory.